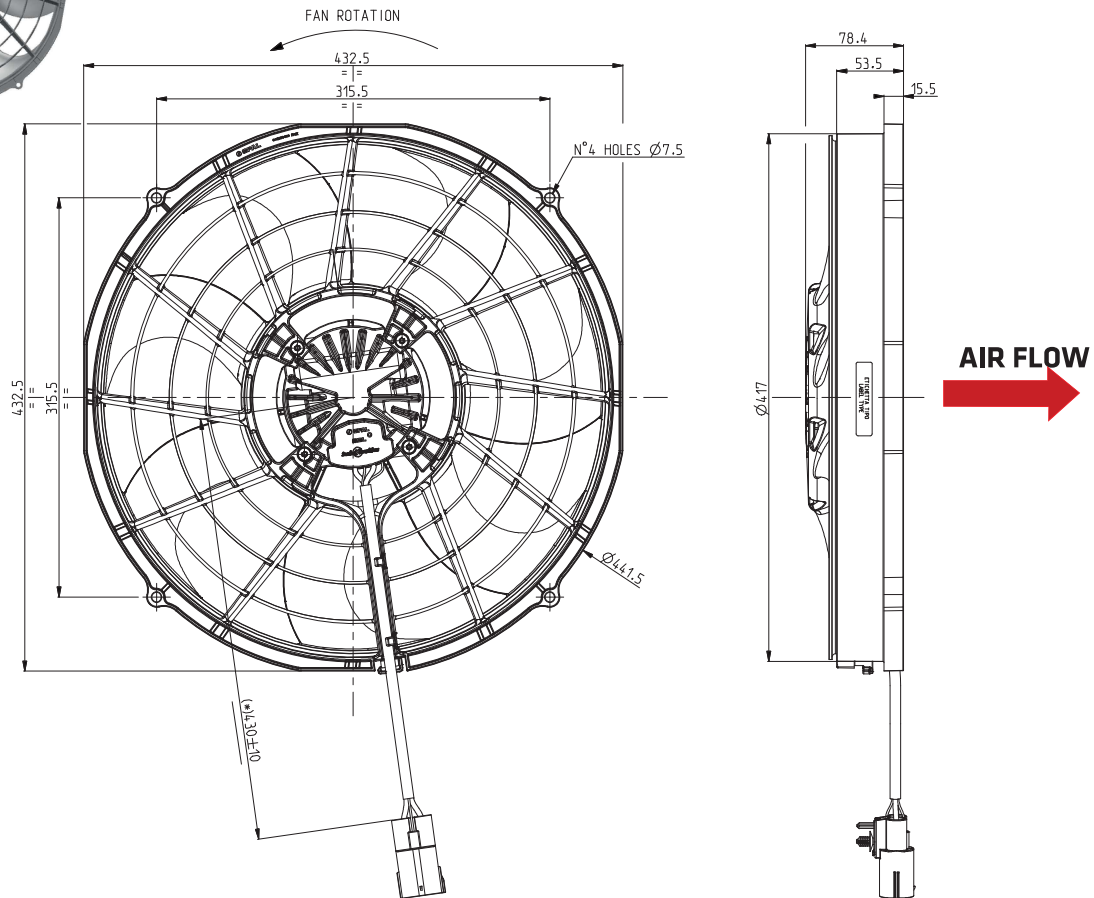


Ø 405 mm
Ø 16"

VA97-BBL339P/N-103A

Technical Data

All dimensions are expressed in mm. Use M6 screws for fixing – nominal tightening torque 4 Nm
Motors certified **IP6K9K** and **IP68**



Connector: YAZAKI HYBRID (USCAR-2 compliant) - Part number: 7282-8497-90

	Identification	+	-	A	PWM* / E*
	Pin number	1	2	3	4
	Wire Color	RED	BLACK	YELLOW	WHITE
	Sealing p/n	7157-3582-90	7157-3582-90	7158-3030-50	7158-3030-50
	Pin p/n	7114-3251	7114-3251	7114-4102-02	7114-4102-02
	Section [mm ²]	4.0	4.0	0.5	0.5

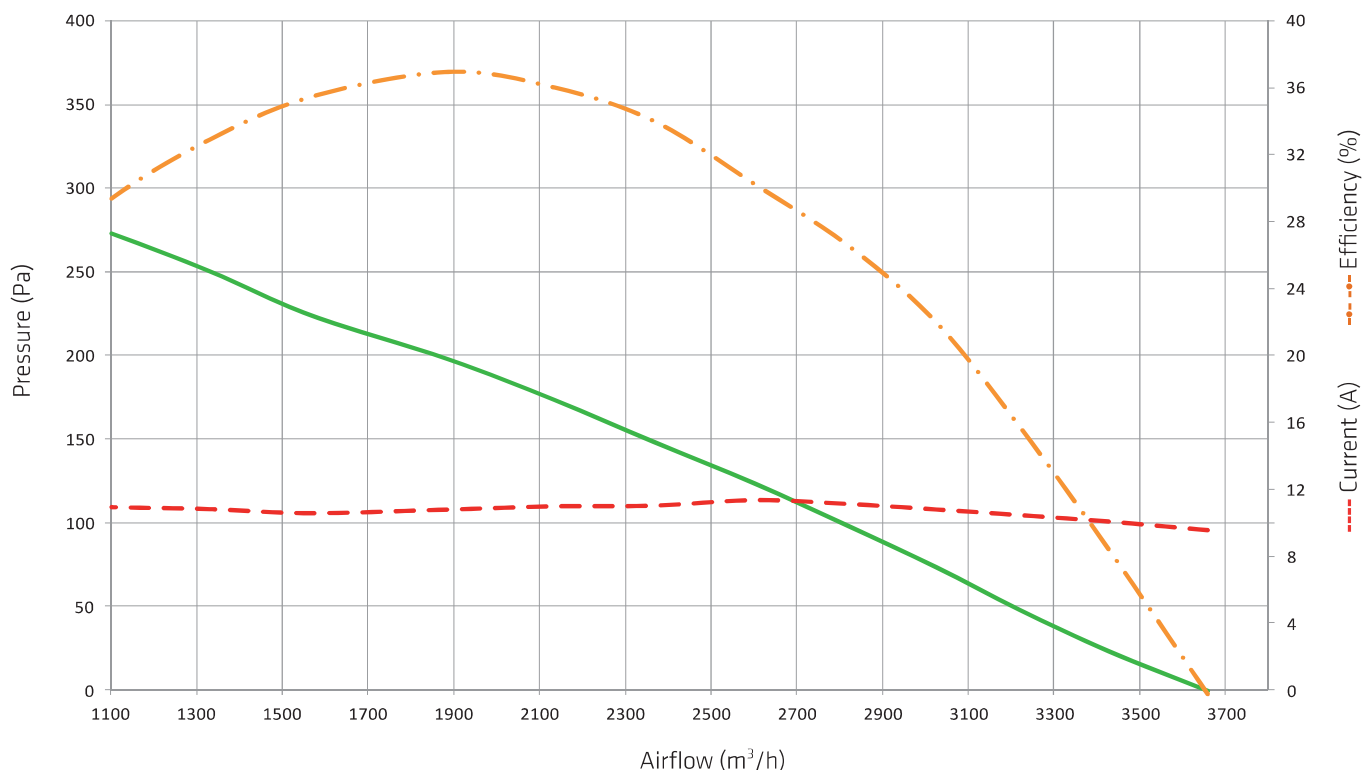
NOTE: YAZAKI connector counterpart available upon request (see page 63)

24V

VA97-BBL339P/N-103A

Ø 405 mm
Ø 16"

Performance Curve

Pressure: 1Pa=0.004 inH₂OAirflow: 1m³/h=0.59 cfm

Features

Max fan speed	rpm	2450
Min fan speed	rpm	600
Sound pressure level	dB(A)	72.8 - at 1 m ± 0.005 m from the fan module- lateral side
Weight	Kg	2.80
Operating supply voltage range	V	16.0 .. 32.0 at the Drive Connector
Supply voltage to reach max speed	V	26.0 .. 32.0 at the Drive Connector
Operating ambient temperature range	°C	-40 .. +95
Speed derating threshold	°C	+85 (*)
Storage temperature range	°C	-40 .. +125
Lifetime	h	up to 40000 hours depending on mission profile
Time from 0 rpm to max speed	s	17
Load dump protection (Pulse 5b)	V	65 - Pulse peak voltage (U _s *) - ISO16750-2:2010
Reverse polarity protection		ISO 16750-1 functional status class C - device fully functional after correcting the polarity

Notes (*): Few minutes ambient temperature transients do not engage the derating owing to the thermal inertia of the system. Overloads may anticipate derating.