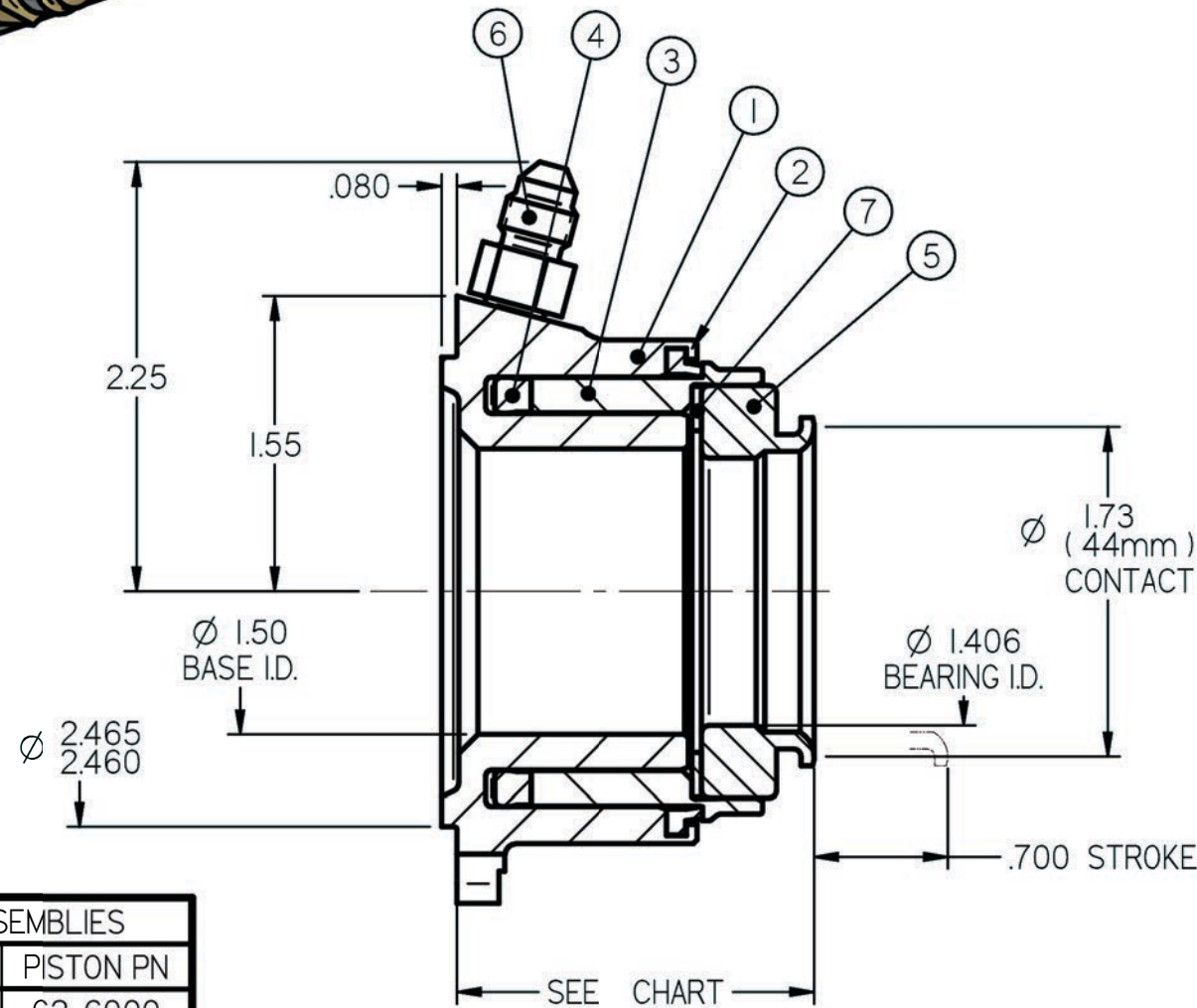


**INSTALLATION NOTES:**

1. USE ONLY WITH DOT-3 OR DOT-4 BRAKE FLUID.
2. NO INTERNAL TRAVEL LIMITER. MUST BE USED WITH CLUTCH PEDAL STOP.
3. SEAL REBUILD KIT = 62-905.
4. SEAL INSTALLATION TOOL = 96-002.
5. HYDRAULIC AREA = 1.215 SQ IN.
6. EITHER PORT MAY BE USED FOR FEED OR BLEED.
7. ORIENTATE BLEED PORT WITH 10 DEGREES OF TOP CENTER TO FACILITATE BLEEDING PROCESS.
8. UNIT IS SHIPPED WITH SHIM 62-903 (.050" THICK) INSTALLED UNDER THE BEARING WHICH MAY BE REMOVED FOR ADDITIONAL CLEARANCE.
9. BOTH PORTS 3/8-24 UNF X .28 THREAD DEPTH.

ITEM	PART NUMBER	DESCRIPTION	QTY
1	62-1000	HYDRAULIC BASE	1
2	62-617	WIPER	1
3	SEE CHART	PISTON	1
4	62-614	HYDRAULIC SEAL	1
5	62-031	BEARING	1
6	73-820	FITTING, AN-3	2
7	62-903	SHIM	1

This document contains proprietary information of TILTON ENGINEERING, INC., and its receipt or possession does not convey the rights to reproduce, disclose its contents, or to manufacture, use or sell anything it may describe. Reproduction, disclosure, or use without specific written authorization of TILTON ENGINEERING, INC. is strictly forbidden.



SECTION A-A

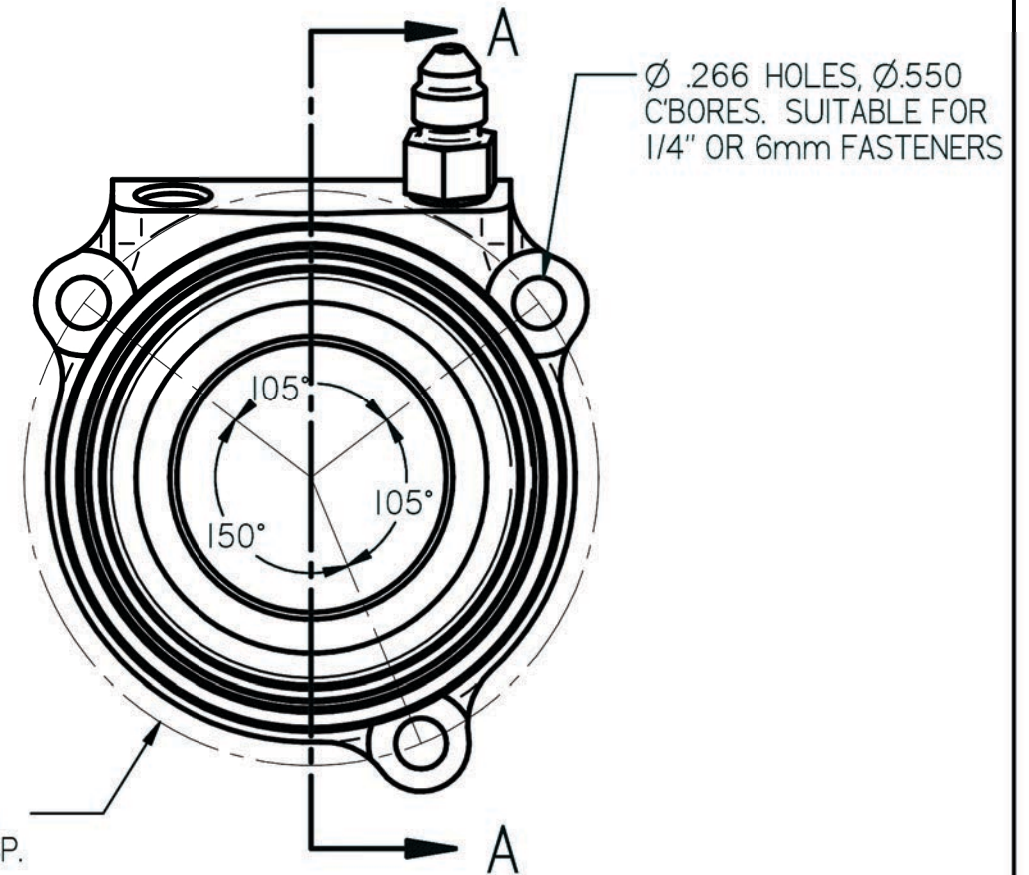


CHART OF AVAILABLE ASSEMBLIES		
HEIGHT	ASSY PN	PISTON PN
1.82"-1.87"	60-1200	62-6000
1.92"-1.97"	60-1210	62-6001
2.02"-2.07"	60-1220	62-6002
2.12"-2.17"	60-1230	62-6003
2.22"-2.27"	60-1240	62-6004
2.32"-2.37"	60-1250	62-6005
2.42"-2.47"	60-1260	62-6006
2.52"-2.57"	60-1270	62-6007
2.62"-2.67"	60-1280	62-6008
2.72"-2.77"	60-1290	62-6009

\* HEIGHTS SHOWN IN CHART ARE WITH AND WITHOUT 62-903 SHIM

TILTON ENGINEERING, INC.		FAX 805/688-2745	
25 EASY STREET, P.O. BOX 1787, BUELLTON, CA 93427 805/688-2353			
TITLE: <b>HYDRAULIC RELEASE BEARING ASSEMBLY</b> <b>44mm RADIUS FACED BEARING, SAAB 9000 MOUNTING</b>			
DRAWN BY WAHL	CHKD LUND	SCALE 1:1	SIZE B
P/N SEE CHART	DATE 05/01/2013	SHEET 1 OF 1	DWG 5831
			REV NC

**tiltonENGINEERING**