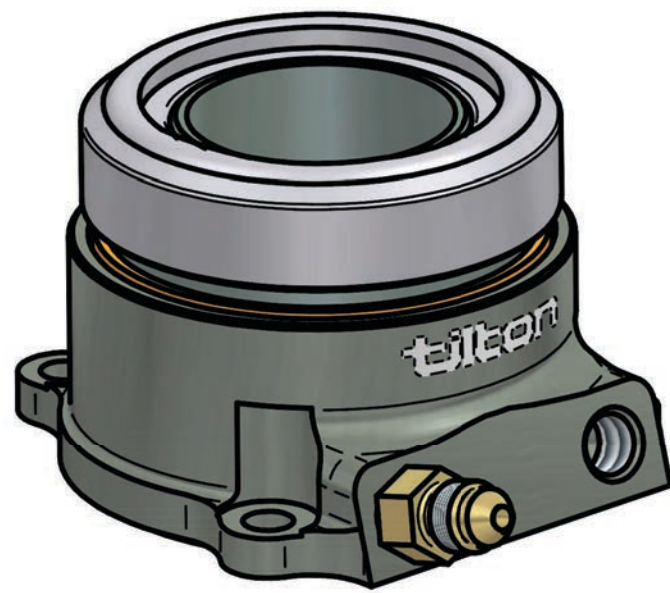


4

3

2

1

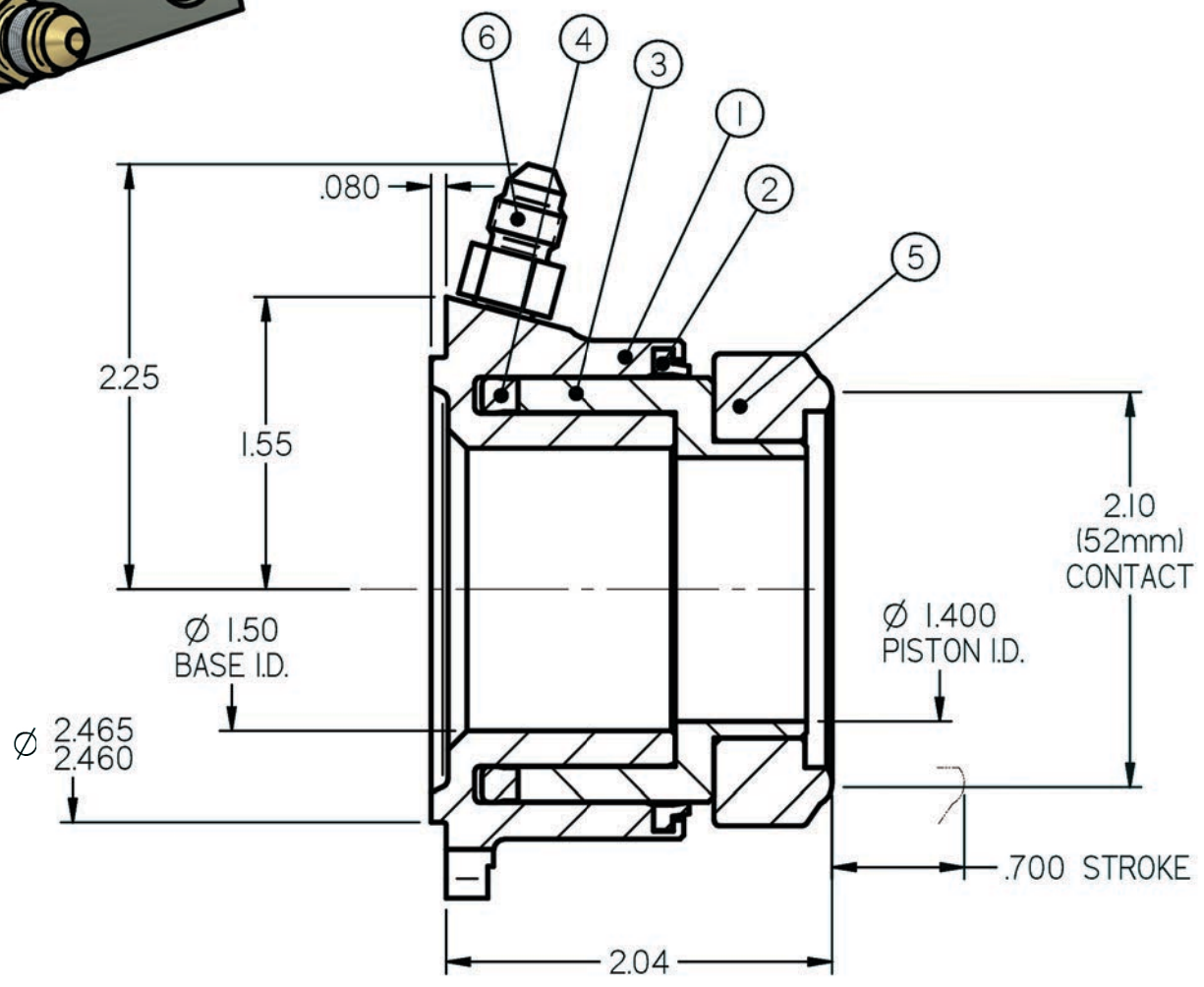


INSTALLATION NOTES:

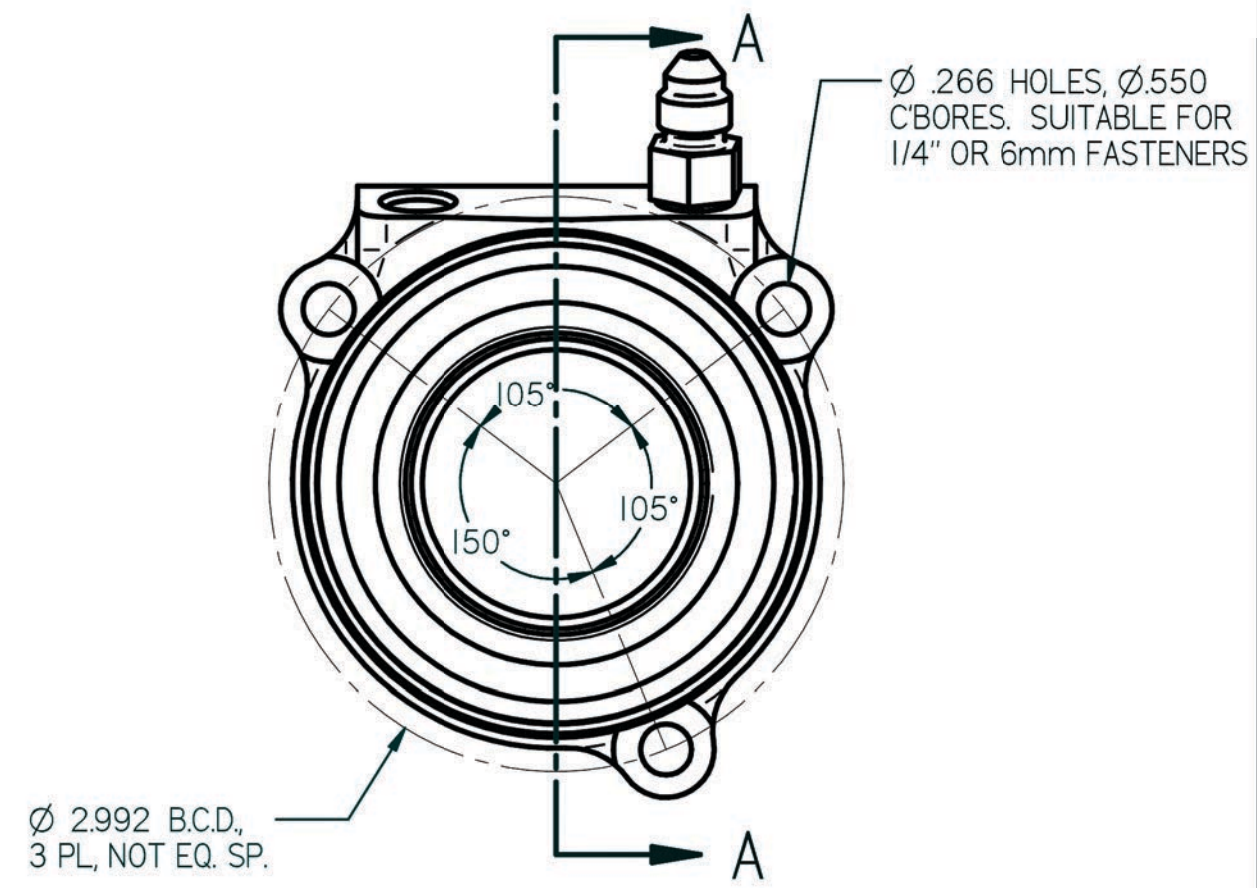
1. USE ONLY WITH DOT-3 OR DOT-4 BRAKE FLUID.
2. NO INTERNAL TRAVEL LIMITER. MUST BE USED WITH CLUTCH PEDAL STOP.
3. SEAL REBUILD KIT = 62-905.
4. SEAL INSTALLATION TOOL = 96-002.
5. HYDRAULIC AREA = 1.215 SQ IN.
6. EITHER PORT MAY BE USED FOR FEED OR BLEED.
7. ORIENTATE BLEED PORT WITH 10 DEGREES OF TOP CENTER TO FACILITATE BLEEDING PROCESS.
8. BOTH PORTS 3/8-24 UNF X .28 THREAD DEPTH.

ITEM	PART NUMBER	DESCRIPTION	QTY
1	62-1000	BODY	1
2	62-617	WIPER	1
3	62-612	PISTON	1
4	62-614	HYDRAULIC SEAL	1
5	62-002	BEARING	1
6	73-820	FITTING	2

This document contains proprietary information of TILTON ENGINEERING, INC., and its receipt or possession does not convey the rights to reproduce, disclose its contents, or to manufacture, use or sell anything it may describe. Reproduction, disclosure, or use without specific written authorization of TILTON ENGINEERING, INC. is strictly forbidden.



SECTION A-A



TILTON ENGINEERING, INC.		FAX 805/688-2745	
25 EASY STREET, P.O. BOX 1787, BUELLTON, CA 93427 805/688-2353			
TITLE: HYDRAULIC RELEASE BEARING ASSEMBLY			
52mm RADIUS FACED BEARING, SAAB 9000 MOUNTING			
DRAWN BY WAHL	CHKD LUND	SCALE 1:1	SIZE B
P/N 60-1000	DATE 07/08/2013	SHEET 1 OF 1	DWG 5834
			REV NC

TILTON ENGINEERING, INC.